



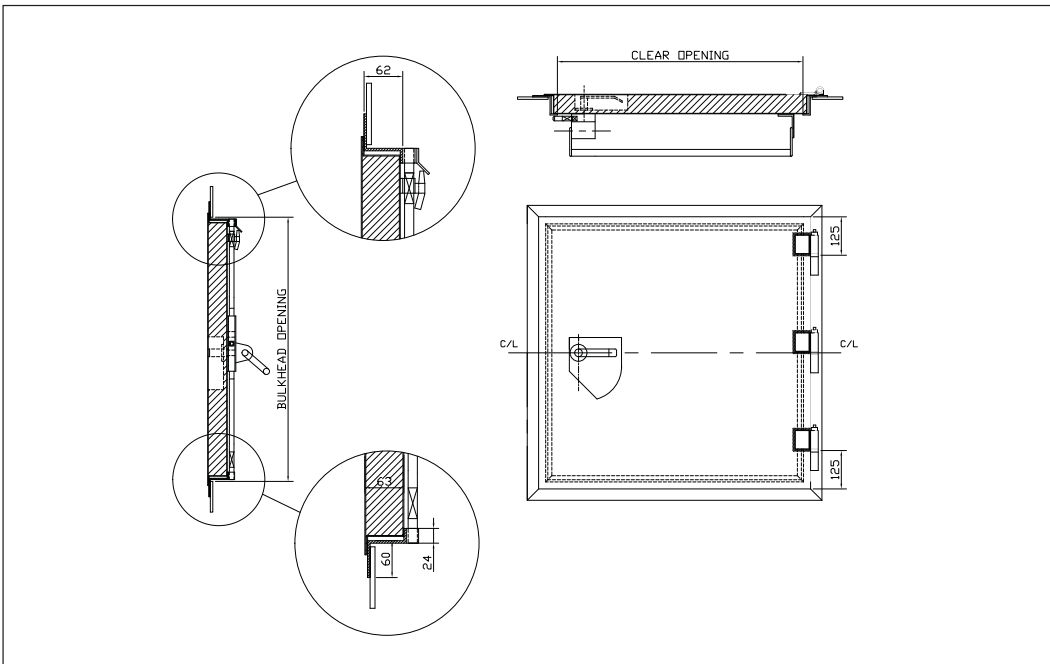
## A60 OFFSHORE ESCAPE HATCH

Z section steel frame formed from 4mm steel plate fitted with 3 heavy duty steel lift-off hinges with grease nipple, MML system 'B' internal surface mounted 3 point auto latching arrangement with panic bar and recessed external lever handle. Mill Finish, Splash proof/ gas tight seals

### OPTIONS

A60 rated vision panel

3 coat offshore specification paint system



MML